

# Premium Web Sensor



- Accurate measurement capabilities for:
  - Temperature ranging from -200°C to +600°C
  - Humidity
  - Dew point
  - Atmospheric pressure
  - CO<sub>2</sub> levels
- Supported communication protocols:
  - SNMP
  - Modbus TCP
  - SOAP
  - XML
- Webserver functionality to display both current and recorded values
- Alarm notifications via email
- Power over Ethernet (PoE) available on selected models

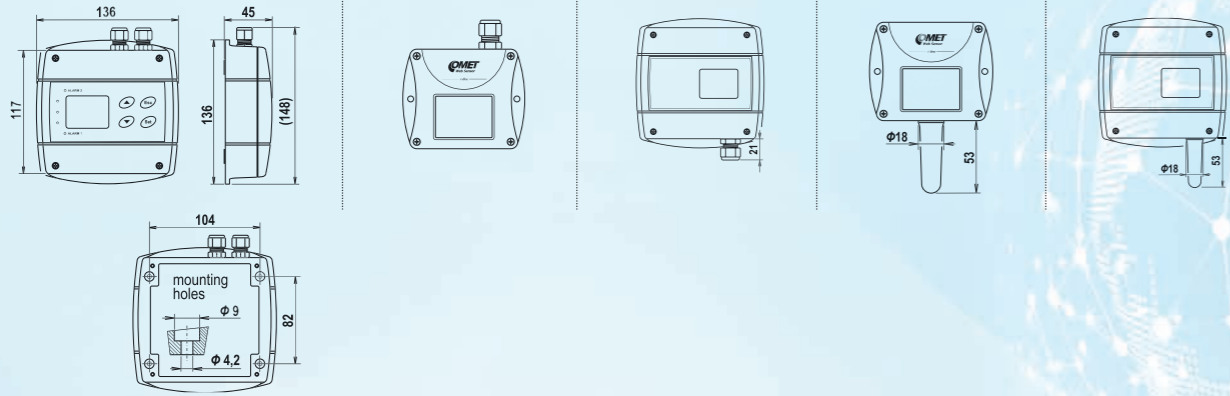


product catalog  
for web sensors



# Thermometers

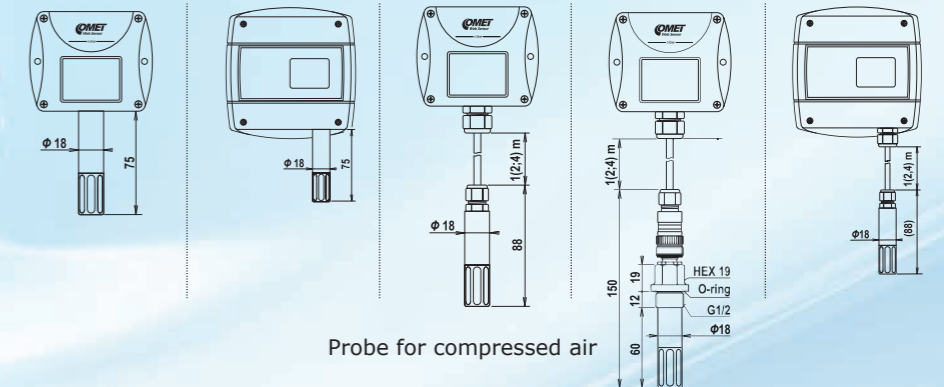
Measured values		Temperature			
SENSOR MODEL		T4511	T4611	T0510	T0610
temperature	range	-200 to +600 °C	-200 to +600 °C	-30 to +80 °C	-20 to +60 °C
	accuracy	±0.2 °C without temp. probe	±0.2 °C without temp. probe	±0.6 °C	±0.6 °C
supply voltage		9-30 V	4.9 - 6.1 V	9-30 V	4.9 - 6.1 V
Power over Ethernet (PoE) according to IEEE 802.3af		NO	YES	NO	YES
protection class of the case with electronics		IP30			



# Humidity and temperature measurement

Measured values		Temperature, relative humidity				
SENSOR MODEL		T3510	T3610	T3511	T3511P	T3611
temperature	range	-30 to +80 °C	-20 to +60 °C	-20 to +60 °C	-30 to +105 °C	-30 to +105 °C
	accuracy	±0.6 °C	±0.6 °C	±0.6 °C	±0.4 °C	±0.4 °C
relative humidity*	range	0 to 100 % RH	0 to 100 % RH	0 to 100 % RH	0 to 100 % RH	0 to 100 % RH
	accuracy	±2.5 %RH	±2.5 %RH	±2.5 %RH	±2.5 % RH	±2.5 % RH
computed humidity values		YES	YES	YES	YES	YES
supply voltage		9 - 30 V	4.9 - 6.1 V	9 - 30 V	9 - 30 V	4.9 - 6.1 V
Power over Ethernet (PoE) according to IEEE 802.3af		NO	YES	NO	NO	YES
protection class of the case with electronics / sensor		IP30 / IP40	IP30 / IP40	IP30/ IP40	IP30 / IP40	IP30 / IP40

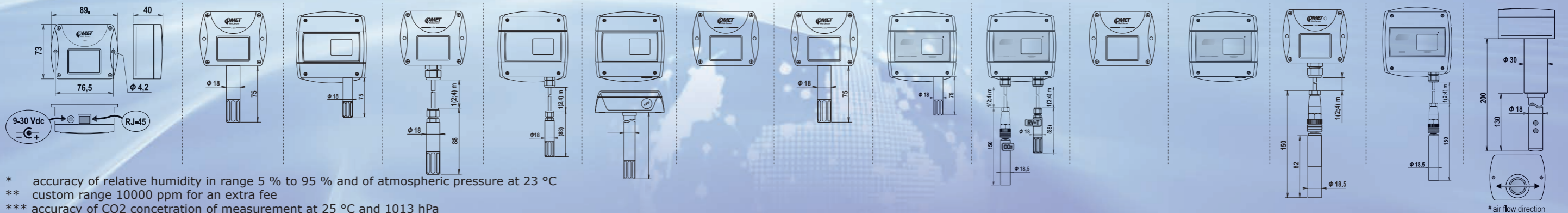
Absolute humidity  
Dew point temperature  
Mixing ratio  
Specific humidity  
Specific enthalpy



Probe for compressed air

# Temperature, humidity, bar. pressure measurement, CO<sub>2</sub>

Measured values		Temperature, relative humidity, atm. pressure					Atm. pressure	Temperature, relative humidity, CO <sub>2</sub>			CO <sub>2</sub>				
SENSOR MODEL		T7510	T7610	T7511	T7611	T76130	T2514	T6540	T6640	T6641	T5540	T5640	T5541	T5641	T5545
temperature	range	-30 to +80 °C	-20 to +60 °C	-30 to +105 °C	-30 to +105 °C	-30 to +105 °C	-	-30 to +80 °C	-20 to +60 °C	-30 to +105 °C	-	-	-	-	-
	accuracy	±0.6 °C	±0.6 °C	±0.4 °C	±0.4 °C	±0.6 °C	-	±0.6 °C	±0.6 °C	±0.4 °C	-	-	-	-	-
relative humidity**	range	0 to 100 % RH	0 to 100 % RH	0 to 100 % RH	0 to 100 % RH	0 to 100 % RH	-	0 to 100 % RH	0 to 100 % RH	0 to 100 % RH	-	-	-	-	-
	accuracy	±2.5 % RH	±2.5 % RH	±2.5 % RH	±2.5 % RH	±2.5 % RH	-	±2.5 % RH	±2.5 % RH	±2.5 % RH	-	-	-	-	-
atm. pressure	range	600 to 1100 hPa	600 to 1100 hPa	600 to 1100 hPa	600 to 1100 hPa	600 to 1100 hPa	600 to 1100 hPa	-	-	-	-	-	-	-	-
	accuracy	±1.3 hPa	±1.3 hPa	±1.3 hPa	±1.3 hPa	±1.3 hPa	±1.3 hPa	-	-	-	-	-	-	-	-
CO <sub>2</sub>	range	-	-	-	-	-	-	0 to 2000 ppm**	0 to 2000 ppm**	0 to 10000 ppm	0 to 2000 ppm**	0 to 2000 ppm**	0 to 10000 ppm	0 to 10000 ppm	0 to 2000 ppm**
	accuracy***	-	-	-	-	-	-	± (50 ppm+ 2 % of MV)	± (50 ppm+ 2 % of MV)	± (100 ppm+ 5 % of MV)	± (50 ppm+ 2 % of MV)	± (50 ppm+ 2 % of MVe)	± (110 ppm+ 5 % of MV)	± (110 ppm+ 5 % of MVe)	± (50 ppm+ 2 % of MV)
computed humidity values		YES	YES	YES	YES	YES	NO	YES	YES	YES	NO	NO	NO	NO	NO
supply voltage		9-30 V	4.9 - 6.1 V	9-30 V	4.9 - 6.1 V	4.9 - 6.1 V	9-30 V	9-30 V	5.0 - 6.1 V	5.0 - 6.1 V	9-30 V	5.0 - 6.1 V	9-30 V	5.0 - 6.1 V	9-30 V
Power over Ethernet (PoE) according to IEEE 802.3af		NO	YES	NO	YES	YES	NO	NO	YES	YES	NO	YES	NO	YES	NO
protection class		IP30													

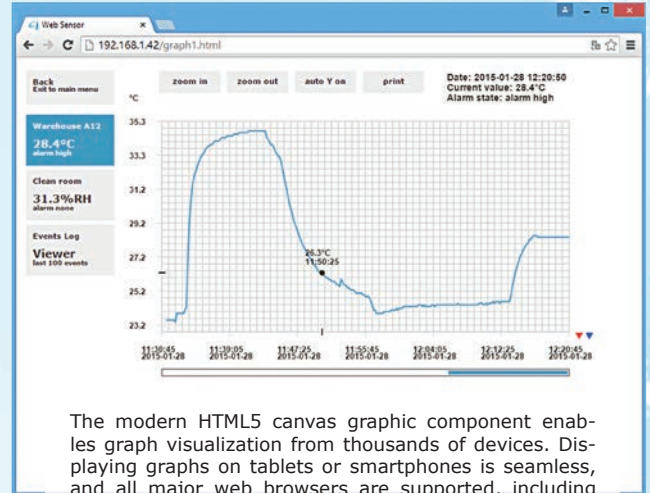
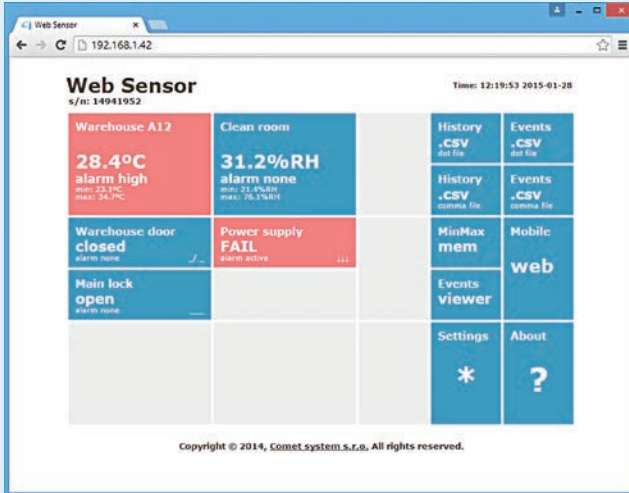


\* accuracy of relative humidity in range 5 % to 95 % and of atmospheric pressure at 23 °C  
 \*\* custom range 10000 ppm for an extra fee  
 \*\*\* accuracy of CO<sub>2</sub> concentration of measurement at 25 °C and 1013 hPa

# Web Server, COMET Cloud, and COMET Database software solutions for data processing

**Current measured values** are accessible online via any web browser. Simply enter the IP address or log in to the COMET Cloud. Alarms are highlighted by a red field.

**Graphs of current values** can be displayed through a web browser or within the COMET Cloud.



Web server interface

The modern HTML5 canvas graphic component enables graph visualization from thousands of devices. Displaying graphs on tablets or smartphones is seamless, and all major web browsers are supported, including Firefox, Opera, Chrome, and Microsoft Edge.



Display online or stored values in the COMET Cloud, where users can toggle between graphical and tabular views, consolidate data into single graphs or separate by measured channels, group devices, and assign display rights.



## Device communication

Enables integration with third-party systems.

By directly connecting to a computer network, the thermometer or humidity meter can integrate with various manufacturers' control systems using protocols like SNMP, MODBUS TCP, SOAP, and syslog. Data is also available in multiple formats, including XML, among others.

